

# College Information Retrieval Using Android APP

<sup>1</sup>Prof. Vishal Shinde, <sup>2</sup>Miss Prajakta S. Bhusari, <sup>3</sup>Miss. Gitanjalee K. Dhumal

<sup>1</sup>Asst. Professor, <sup>2,3</sup>UG Student, <sup>1,2,3</sup>Computer Engg. Dept. Shivajirao S.Jondhle College of Engineering & Technology, Asangaon, Maharashtra, India

<sup>2</sup>prajaktabhusari12@gmail.com, <sup>3</sup>dhumalamol842@gmail.com

**Abstract**— Currently the Android application functions as a disconnected application which just permits. 'College INFORMATION RETREIVAL USING ANDROID APP' the android application programming which would be a small of this College. It works as a site as well as it can act as a little college Management software .this multipurpose program is thinking about the client as either student or office staffs independently. Paper gives an aggregate answer for everyone. The application turns out to be additionally a Mobile variant of college authority site. It gives more superior client interface. It goes about as a review about the grounds to a non-enrolled understudy. The college history, offices, workshops, resources, library etc & major even conducted and to survey them. Latest news and updates about school is overcome notifications. Individual record can be made for understudies. The android application is likewise a pilot. The application will indicate guide of the college. This application contains two login. One is for administrator and another for understudy. Understudy must be enlisting for check notice or updates.

**Keywords**— *Material design, Push Notification, SOAP web service, Restful web service, Fragment.*

## I. INTRODUCTION

The Android Application has been produced for College with an end goal to make it as alluring and dynamic as would be prudent. Contrasted with the current site a database has been added to this app. The principal page gives Log In to understudy likewise to the Admin. The Home page contains Main movement which contains particular principle capacities like division, College offices, Committee and so on. This page additionally contains pictures of college and office lab. Client Login module helps the client to login to the Application. For that he should sort the username and secret word accurately. The login arrangement in this page helps the effectively enrolled client to specifically get to the Application and there is a connection for enlistment to a client who is new to this App. Part Registration module helps the new client to enlist into the App. The data entered by the clients is included into the table enrollment of Admin. Data for enlistment like name, parent number, enlistment ID, portable number, branch and so forth., It's decision of Admin to permit this new enrolled client to utilize this App. Each division HOD will be Admin for these offices. Understudy can get every day warning from its area of expertise notice segment. This is duty of Admin to create this data to understudy additionally administrator can distribute every semester of result for understudy.

Additionally Syllabus, accommodation points of interest, detent rundown will be show on this area. The fundamental

action of App contains distinctive capacities, these capacity contain entire data of this college this data we have set in various piece .these section will change according to client will change its fundamental action. Client does not have to attach back call to go on past page this primary movement untouched present with client sub exercises so client can without much of a stretch go on landing page by choosing these fundamental action. Data of school contains Admission subtle elements, office give by college to the clients, school staff points of interest and so forth. This application will exceptionally supportive for understudy likewise educators. The primary point of venture is to give easy to use condition to its client .The backend of this venture is SQL and .net which give safe information putting away to understudy. This data put away at server. Every office administrator i.e. HOD who in charge of refresh every day warning attempted to build up an application which will appealing for utilize.

## II. EXISTING SYSTEM

Only registered user can access the system. The user can not view or add any information in the system when the server is down. The student can view only the data related to the particular semester the remaining data hidden to them Also, at some organization even the above mention existing system is not even exist and admin and students share the information or documents via papers and files only, which may sometimes lead to loss of any documents or important information too. There is no such a application which can represent college very clearly expect their website. This website does not make

good friendly environment to its user. Also this website not dynamic so user does not get updates or daily information from it.

### 2.1 PROBLEM STATEMENT

The website of college does not contain dynamic property. From this website anyone cannot get daily information. Also it not contain any download section to get information like time table, notification etc.

## III. PROPOSED SYSTEM

This server allows the admin to upload the data and the student can option to download the require documents throw the android device. The faculty can upload or modify the documents to any semester as desired. The proposed system is work on server and all the files and documents are uploaded in the server. The student just needs to add their account into android application and they can surf each and every related to the documents very easily. Proposed system save lots of time of both student and admin members.

### 3.1 MODULE

College information retrieval using android involves following modules

#### 1. Student Module

This module is design for student. In this module student can get resister themselves via putting information while resister. Student has to put information like name, Enrollment number, parents contact, department, year etc. in registration .after registration this student has permission to access system. Student has much option in application which he/she can use to get daily information. Student can get information daily notification, syllabus, exam time table etc. student can fill form related to his department. He/she also get information about committee and another menu Contact user can ask query in this menu.

#### 2. Admin module

This module is exclusively works for the admin members of the organization and admin can upload important documents in this module Which the student can download very easily. Admin do take care of uploading and de-uploading related techniques through this module. Admin has all the access on data related to the student .its admin permission that who can use this app. Admin can add or remove student from this application.

## IV. SYSTEM DESIGN

Framework configuration is the answer for the formation of another framework. This stage is made out of a few frameworks. This stage concentrates on the point by point usage of the possible framework. It accentuation on making an interpretation of plan determinations to execution particular. Framework configuration has two periods of improvement legitimate and physical outline. Amid intelligent outline stage the examiner depicts inputs (sources), out puts (goals), databases (information bruises) and strategies (information streams) all in an organization that

meats the utilizations prerequisites. The examiner likewise indicates the client needs and at a level that for all intents and purposes decides the data stream into and out of the framework and the information assets. Here the intelligent outline is done through information stream graphs and database plan. The physical outline is trailed by physical plan or coding. Physical plan delivers the working framework by characterizing the outline details, which tell the developers precisely what the competitor framework must do. The software engineers compose the essential projects that acknowledge contribution from the client, perform vital handling on acknowledged information through call and create the required cover a printed copy or show it on the screen.

### 4.1 SYSTEM FEATURES

#### Application:

1. Authentication
2. Notification
3. College Location

#### Authentication

##### a) Description and Priority

The element will give the client a protected and straightforward login screen. The login is empowerment for the executive utilize just and is not open to whatever other than the college HOD. It has just restricted and modest bunch of info capacity of predetermined number of head in the college. Any understudy can't enter the standard settings and hamper the framework.

b) Stimulus/Response Sequences : It comprise of two essential fields. Username and Password. A message is strikingly shown at the satisfied regarding the login is for the executives as it were. There is a catch Login for presenting the entered username and secret word. On effective section the client will be given the executive control page to control every one of the settings of the database and on unsuccessful login the client is ducted again to the same login page with a blunder message.

c) Functional Requirements:-The most essential capacity of the login page is to give get to just to the enlisted college heads. The college must give the clients to the post of directors and the individuals will's identity altering the schedule.

#### Notification

a) Description and Priority:-The element will give the client continuous refresh warning. The notice is empowered for the understudy. Any understudy can get refreshed warnings as they are the out of date clients of the application.

b) Stimulus/Response Sequences: Just the students can get refreshed notification & guest is just given essential data about college environment and affirmations.

c) Functional Requirements: The most vital capacity of the notice is to give imperative occasions and uncommon events that are coming later.

**College Location**

**Description and Priority**

The application provides Location service. An outsider can access the college by location

**Stimulus/Response Sequences:-** Application is connected to the G-map so the application connects to the Gamp for route service.

**Functional Requirements:-** The application requires an android smart phone with pre-loaded or online G-map for the location service

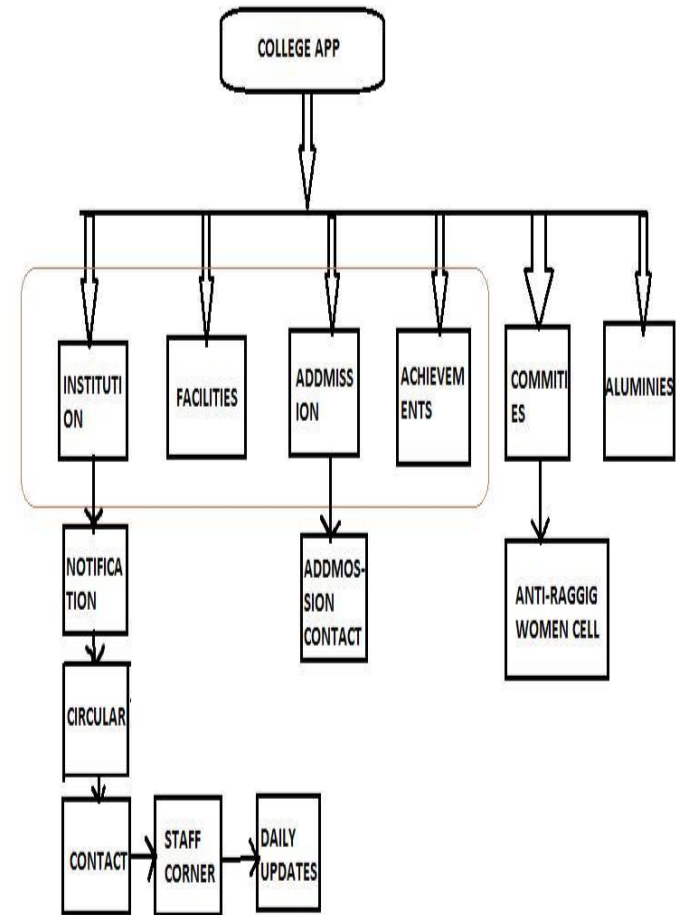


Figure – 1: Overview of Architecture Diagram

**4.2 OVERALL DESCRIPTION**

**a) PRODUCT PERSPECTIVE**

The info.apk application will be a new Android based Mute application. This will be implemented with eclips and SDK manager.

**b) PRODUCT FUNCTION**

The product should have an easy to use main menu, from which the rest of the features or functions can be accessed. These main features as listed are: basic viewing and account login.

**c) OPERATING ENVIRONMENT**

The application will only be available for the Android operating systems. The application shall only be used with compatible android devices The user shall use this application on smart phones.

**V. DESIGN DETAILS**

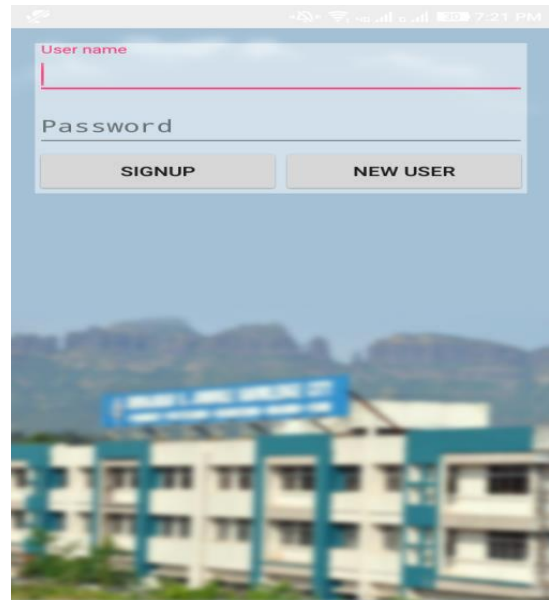


Fig – 1: Login Page

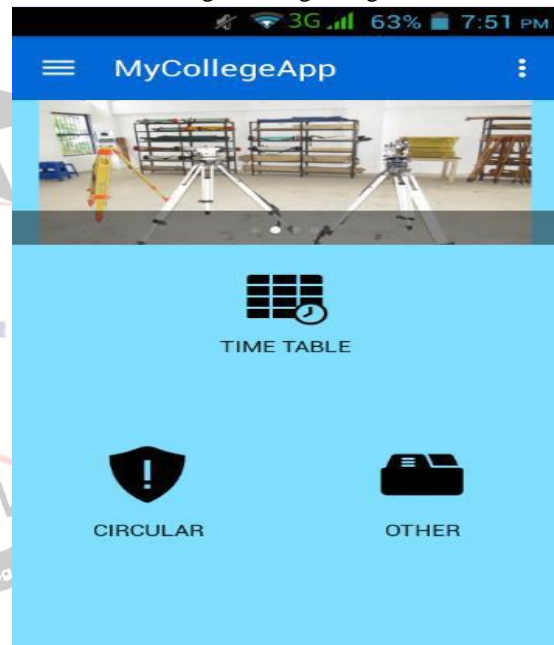


Fig – 2: Home Page

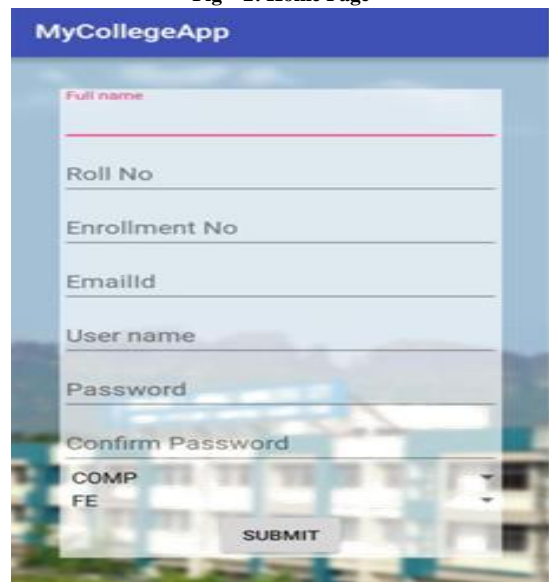


Fig – 3: Registration Page



## VI. CONCLUSION

The areas of mobile technology open the windows to the android app. The websites are vanishing and the smart phones an emerging It is time to change from conventional websites to apps which has become the part of our daily routine .we are introducing `MyCollegeApp the android application software which would be a miniature of our college website it works not only as a website but also it can work as a small college Management software.

## REFERENCE

- <http://mvw.vogellacom/tutorials/AndroidSQLite/artic le.ht>.
- <http://mvw.androidhive.info/2012/07/android-gps->
- <https://developandroid.com/training/index.html>
- <https://clipse.org/>
- ASP.NET Bible – Mridula Parihar.
- SQL Server2000 - Jeffrey R. Shapiro. [www.c-sharpcorner.com](http://www.c-sharpcorner.com)
- [www.programmersheaven.com](http://www.programmersheaven.com)

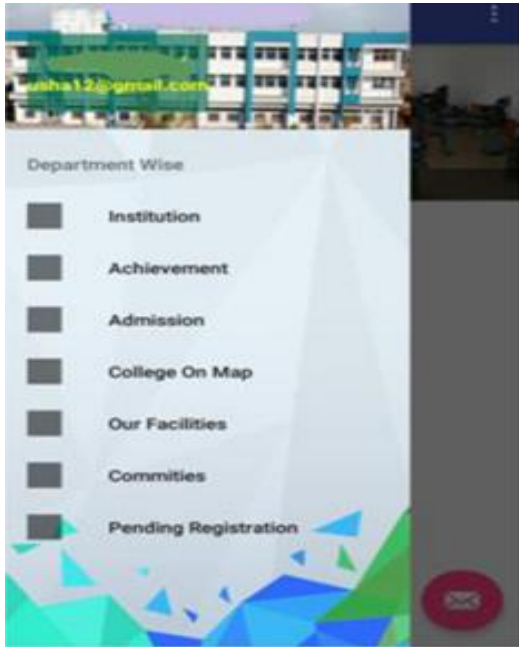


Fig – 4: Home Page



Fig – 5: Main Page



Fig – 6: College Map